



Scan **ADVISOR+ABS**

MD1052

\$378.99 SAVE \$40



Features:

Comes with SRS & ABS coverage for most 1996 and newer GM, Ford and Chrysler vehicles.

Works on all 1996 and newer cars, light trucks, SUVs and minivans - Domestic and Import.

Records and play back Enhanced OBD2 Live-Data (J1979 & J2190) with data graphing, OBD2 Mode 1 to 9 coverage.

Performs bi-directional / Service mode 8 EVAP testing, Displays Freeze Frame Data.

2010 model year compliant with 15 monitor coverage.

Will work on heavy duty and diesel vehicles.

p.3



3129 OBD1 Adapter Kit

This kit compliments the MD1042 & MD1052 (right)

SPECIAL OFFER



p.11

LOWER PAYMENTS

on 4s, 5s, and 6s series toolboxes - see page 11 for more info.





\$61.50 Save over 10%

**MD941
BASIC MULTIMETER**

- Multimeter provides readings for volts, amps and ohms required for automotive electrical system tests as well as Diode and Continuity tests.
- Also Includes temperature probe for direct contact temperature measurement.
- Display: Max. 2000 Counts.
- Auto / Manual Range.
- Diode Check.



**Built-in
LED
flashlight**



\$55.49 Save nearly 10%

**MTL300
MATCO TIMING LIGHT**

- Works with most ignition systems: DIS, conventional, electronic and computer controlled systems - domestic and imports.
- Check timing, diagnose a no-spark condition, check for electronic advance/retard and more.
- Slim, rotating barrel for better aim at timing mark.
- Built in LED flashlight.
- Detachable leads, metal inductive pickup - protective hand guard.



40oz.

\$76.50 Save over 10%

**RDBH40BP
40 OZ DEADBLOW
BALLPEEN HAMMER**

- Shot-filled head reduces rebound effect.
- Gritted, Ergonomic Handle Design.

USB port for receiving
online updates



CAN400 DIMENSIONS	
WIDTH	2.75"
HEIGHT	5"
DEPTH	.75"
CORD LENGTH	31"

\$132.95 Save nearly \$15

**CAN400
TRILINGUAL OBDII/EOBD & CAN SCAN TOOL**

- Compatible with all 1996 and newer vehicles (OBDII & CAN).
- Read and display LIVE sensor data.
- Displays over 15,000 generic and manufacturer specific definitions.
- Displays all modes of OBDII data including O2 Monitor, Diagnostic Monitor Test and On Board Systems.
- Free updates.
- Includes: CAN400 Scan Tool, User manual, CD, USB cable and USB Port for receiving online updates.
- Live Data allows the user to view vehicle sensor, switch and relay inputs in real time, while the engine is running. This information helps pinpoint the problem components for a faster diagnosis.
- Displays generic and enhanced definitions on screen, State OBD check, OBDII Drive Cycle Mode and displays all 9 modes of OBDII data and meets European OBD standards.
- Read and display freeze frame data (snap-shot of vehicle data at the time of the fault).
- Read and display: MIL status, I/M monitors (emissions), pending DTC's, VIN number, CVN and Cal ID, O2 Monitor Test, Diagnostic Monitor Test, On Board Systems.
- Read and erase diagnostic trouble codes.
- OBDII information available: Read and display LIVE sensor data.
- Additional Features: Over 15,000 code definitions, Field updateable via USB port, EOBD compatible, CE certification and Trilingual menu, manual and definitions (English, Spanish, French).

\$97.95 Save nearly \$15

**HDP514
HARMONIC DAMPER PULLER**



- For Chrysler, GM, Mitsubishi and Dodge.
- Low profile design works in confined spaces eliminating the need to remove the radiator.
- New jaw geometry, slimmer magnetic spacers and a fourth rod allow use on, 5.9 liter Dodge, 4.2L Trailblazer, Envoy and Bravada '03 & newer, 4.2L Buick Rainier '04 & newer, 3.5L Colorado and Canyon '04 & newer, Hummer H3 '06 & newer, 2.8L Colorado and Canyon '05 & newer.
- Jaws are now held in place with a clevis pin and can be removed and replaced easily.

More choices.

We all know Matco Tools has the best built toolboxes. Now they're available in two NEW unique colors.

THUNDERSTORM GRAY



COPPERHEAD

Introducing Copperhead and Thunderstorm Gray as new additions to Matco's long list of color options.

Available in all 4s, 5s, and 6s series toolboxes. Stand out from the crowd and show your originality with the best built toolbox in a brand new color.

Due to inconsistencies in the printing process, printed colors may differ slightly from original color on product. Colors shown on toolboxes are only a loose representation of actual product. Ask your Matco distributor to see physical samples of these new colors.

OBD1 Adapter Kit
for cover item (MD1052):
3129

This kit compliments the
MD1042 & MD1052



3129

\$152.49

3129

OBD1 ADAPTER KIT FOR
MD1042/MD1052

- This kit compliments the MD1042 and MD1052 for OBD1 coverage for most Domestic Ford (81-95), GM (82-95) & Chrysler (83-95) vehicles and Import Toyota/Lexus (89-95).
- OBD1: Ford, Lincoln, Mercury - 1981 to 1995 models with EEC-IV Systems, Performs: KOEO, KOER, Timing Check, Cylinder Balance Test, Output State Test, Wiggle Test.
- OBD1 Code Reader Coverage: General Motors - 1982 to 1993 and some 1994 to 1995 models, Toyota / Lexus - 1989 to 1995 Chrysler / Dodge / Plymouth - 1984 to 1995, Jeep - 1993 to 1995.



Upgrading your tool storage is **EASY & AFFORDABLE.**

Ask your Matco distributor about the many options available to easily expand or upgrade the look of your tool storage space. From side cabinets, stainless steel accents, top chests, hutches, and more...

Matco has a solution to keep your toolbox working for you.



Need a bigger toolbox? UPGRADE with add-ons.

TORQUE TIPS

CLT200

HEAD GASKET PROBLEMS DETECTION MADE EASY

Subaru 2.5 liter engines from 1996 to 1999 have head gasket problems associated with them. Typical failure is an internal leak that isn't externally visible. You may see bubbles in the overflow reservoir, sludgy residue on the walls of the reservoir, and random overheating of the engine. Use the CLT200 to test for head gasket failures in Subaru's or in other automotive applications.

QUICKLY LOCATE INTERNAL ENGINE PROBLEMS SUCH AS BAD RINGS, VALVES AND LEAKING HEAD GASKETS.

\$112.49 Save nearly \$25

CLT200 CYLINDER LEAKAGE TESTER KIT

- Dual 2½" heavy duty gauges with rugged protective outer boots.
- Scales read 0-100 PSI and 0-700 kg/cm².
- Pressure regulated manifold includes high quality quick couplers for fast set-ups.
- 24" Long 14mm Flex Hose with 10mm, 12mm, and 18mm adapters provides coverage for most automotive applications.



For more exclusive Torque Tips and information, register on www.matcotools.com

\$83.50 Save nearly \$25

MVP5000 VACUUM / PRESSURE PUMP KIT

- Kit includes components for performing hundreds of automotive diagnostic & mechanical test and for one-person brake bleeding.
- Pump produces vacuum or pressure with equal precision at the turn of a switch for easy operation.
- Includes larger 12 oz bottle with (2) quick connects for the bottle and other adapters.



ONE FINGER TRIGGER VACUUM/PRESSURE RELEASE FOR EASY ONE HAND OPERATION.

\$124.49 Save nearly \$15

FIT500 FUEL PRESSURE TESTER KIT

- Performs running, residual, rail and flow rate pressure tests.
- Professional dual scale gauge reads 0-100 PSI and 0-700 kPa with relief valve and fuel discharge hose and protective rubber boot.
- Includes adapters, hoses and fittings to test fuel injection systems plus two popular adapters for import vehicles as well as the GM TBI adapter.





\$115.95 Save over \$20

SAJW4 4 PIECE ADJUSTABLE WRENCH SET

- Hot-forged steel jaws are specialty heat-treated for needed strength in removing or holding fasteners
- Laser-etched scale for fastener measurement.
- Comfort grip handle contours to the technicians hands to enable greater force without pinching or cutting into the palm.



\$218.50 Save over \$15

MLK1000 20 PIECE MASTER LOCK-OUT KIT

- Contains 18 pieces making it the most comprehensive lock-out kit available.
- Includes a fully illustrated instruction manual.
- Includes the LT275 Inflate-A-Wedge.
- Packaged in a Heavy Duty Blow Molded case with Vinyl Inserts.
- Not available for sale in all areas. See your Matco distributor for details.



\$162.49 Save over \$30

GMPS620 MASTER LOCK PICK SET

- Set Includes: Super Lock Pick Set, GM Lock Pick Set and Foreign Lock Pick Set.
- Foreign Lock Pick Set consists of 6 rocker picks designed for almost all foreign vehicles which use a wafer lock cylinder.
- Includes Gas Cap Pick Tool.
- Not available for sale in all areas. See your Matco distributor for details.

\$163.15

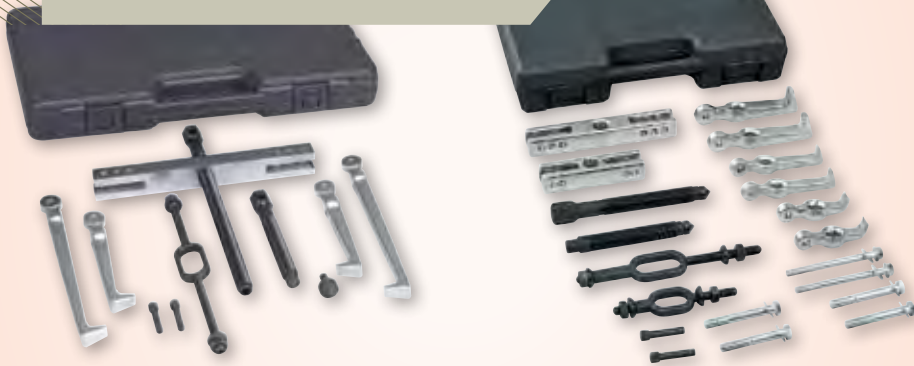
MST6668 BALANCER PULLER KIT

- This balance puller kit combo allows for pulling from tapped holes in the balancer, or from the outside diameter.
- Special screws protect from installing bolts too deep and damaging sensors.
- Can be used without removing the radiator from the vehicle in most applications.
- Covers the following applications; GM V8, V6, I6, I5, I4 engines. Chrysler 4 cylinder and V6. Ford V8 with 3 spoke pressed on balancers. Mitsubishi 2.0L.



NEW

MST4532 compliments the MST4534 supplying the next series of sizes.



\$223.95 Save \$25

MST4532 7 TON GENERAL PURPOSE PULLER

- Large General Purpose Puller Kit similar to the MST4534.
- 7 Ton Pull capacity with 7-1/4" to 9-5/8" Spread and 5-1/2" to 9-1/2" Reach.
- Two forcing screws with live centers.
- Accepts shorter jaws from the MST4534.
- Compliments the MST4534 supplying the next series of sizes.

\$210.49 Save over \$30

MST4534 MULTI BEARING/PULLEY PULLER SET

- General Purpose Puller Set for a wide range of pulling jobs, including: bearings, alternators, generators, power steering and crankshaft pulleys, timing gears, and harmonic balancers.
- Set includes drop-forged, heat treated components, which can be used in a variety of combinations.



\$97.95 Save over \$15

TRT47 INNER TIE ROD TOOL

- Works on tie rods with inaccessible flats to remove and install the inner tie rod without removing the rack.
- Uses 6 crow's feet to engage the wrench flats 1-3/16", 1-1/4", 1-5/16", 1-7/16", 33.6mm, and 1-1/2".
- 1-1/2" size works on Chevrolet Colorado and GMC Canyon applications.
- 1-7/16" Crow'sfoot. • 1-5/16" Crow'sfoot.
- Tube Coupler / Socket. • Retainer.
- 33.6 Crow'sfoot. • 1-1/2" Crow'sfoot.



\$96.95 Save over \$10

MSC90200 MASTER SPRING COMPRESSOR SET

- Kit allows user to build either an Inner Coil Spring Compressor, or Master Mac Strut Compressor
- Built in safety kit
- Includes: Spring gauge, Acme threaded rod

\$19.95

**T290
TURBO LITE MICRO TORCH**

- Ideal for heating shrink tubing and connectors small soldering jobs & removing rusted bolts.
- Piezo waterproof ignition system.
- Protective flip open cap.
- Refillable using standard butane fuel.
- 1300°C / 2400°F Pinpoint Flame.



\$10.42 Save nearly 15%

**MTPS
PITSTOP GLOVE**

- Eliminates oil from running down your arm.
- Slip hand through the cuff opening.
- Lid cover for storage.



\$16.50 Save over 10%

**CKTO1MB - Orange
COTTER KEY PULLER**

- Black oxide shank with special twist to pull cotter pins and other fasteners.
- Ergonomic handle



MATCO BLOW GUNS

- Lightweight sturdy body for added comfort and durability.
- Ergonomically designed grip for improved handling and comfort.

V1051	4"	Full Flow Nozzle	\$18.50	Save nearly 15%
V1151	13"	Full Flow Straight	\$36.95	Save nearly 15%
V1251	20"	Straight Nozzle	\$38.50	Save nearly 15%
V1252	20"	Bent Nozzle	\$40.95	Save over 10%



\$35.95 Save over 10%

**AE7578M
7/16" AUTOMATIC SLACK
ADJUSTER WRENCH**

- Used for brake adjustment on heavy-duty trucks equipped with Haldex slack adjusters.
- Extra long handle makes the wrench comfortable when doing the job of overcoming the anti-reverse mechanism (22-25 lbs./ft.).
- 6-point wheel.

SAVE YOUR BACK AND YOUR KNEES



IDEAL FOR USE ON A CREEPER OR
EVEN IN PLACE OF ONE.

\$36.59 Save nearly 10%

**AE1167
MECHANIC'S FOAM FLOOR MAT**

- Mechanics Foam Floor Mat features closed cell foam and is perfect for any odd jobs requiring the user to lay down.
- Foam is impervious to most chemicals found in service centers.
- 15½" x 38½" x 1½".

**EACH UNDER
\$50**



\$32.95 Save nearly 10%

**TB441
3/16" TUBING BENDER PLIER**

- Tubing bender pliers for use in tight quarters.
- Works great around the frame and in other tight spots when bending brake line tubing.
- Head design will not crush tubing or kink tubing.
- Pliers are forged for strength.



\$21.50 Save over 15%

**ISA412
INPUT SHAFT ALIGNMENT TOOL**

- Tool works on manual and electronic shift transmissions in large trucks with 1¾" and 2" splined shafts.
- Tool is inserted through inspection plate and onto the input shaft.
- Transmission is aligned with clutch brake by turning the input shaft.



\$21.50 Save over 10%

23970

IN-LINE SPARK CHECKER KIT

- Troubleshoots virtually all domestic and import cars, SUV's & trucks.
- A must for testing newer vehicles with recessed spark plugs.
- Also tests conventional and coil on plug ignition systems.
- Provides information not available with OBD II code reading devices.



TOOLBOX NECESSITIES

EACH UNDER

\$50

FILL YOUR TOOLBOX WITH THE BEST

MATCO TOOLS STAINLESS HEMOSTATS

- Reaches deeper than any conventional Hemostat Pliers.
- Inter-leaf joints for added strength and precision.
- Rear Locking - 4 position.
- Stainless steel.
- Serrated jaws for grip.



45° tips for greater access.



HEMOSTAT-45



HEMOSTAT-ST

\$29.95 Save nearly 10%

HEMOSTAT-45

STAINLESS HEMOSTAT - 45°

\$29.95 Save nearly 10%

HEMOSTAT-ST

STAINLESS HEMOSTAT - STRAIGHT



\$49.95 Save nearly 15%

CC4500

CAM CLAMP

- Holds valve timing on twin cam and quad cam engines during timing belt replacement.
- Prevents engine damage resulting from mis-timing.
- Compact design allows use in confined engine compartments.
- Fits timing gear diameters from 4" (101mm) to 6" (152mm) and gear spacing from 1/16" (1.6mm) to 3" (76mm).



Carry-along cleaning kit that fits into your motorcycle saddlebag or backpack.

\$22.95

CY41503

CYCLE 2 GO CARE KIT

- Removes hard water spots, burned on rubber & nylon from boots & rain gear on pipes, bluing on pipes, fine scratches, oxidation, fingerprints & more.
- Chrome/Stainless Cleaner included removes water spots, road dirt, oils/grease on chrome, painted wheels as well as any of the high-polished parts.
- Speed Wax included removes bug spots on painted or plastic parts & leaves a protective coating for a quick "show & shine" finish. Will not leave a white residue on surface or around decals like a paste wax does.

CUBAVERA DIAGONAL TWILL

- Relaxed, comfortable, and professional with a sand washed finish for softness.
- Matco Tools logo embroidered on left chest.
- Available M - XXXL.

PDMCS35M	M	\$93.95
PDMCS35L	L	\$93.95
PDMCS35XL	XL	\$93.95
PDMCS35XXL	XXL	\$98.95
PDMCS35XXXL	XXXL	\$98.95



TRIBAL WRENCH TEE

- The great wrench tee is right for you.
- Tribal wrench design on full front and full back of this black heavyweight tee shirt.
- Classic look for classic tools.
- Available M - XXXL.

PDMT74M	M	\$21.95
PDMT74L	L	\$21.95
PDMT74XL	XL	\$21.95
PDMT74XXL	XXL	\$24.95
PDMT74XXXL	XXXL	\$25.95

SMOKIN' HOT



\$23.95

PDMC68

BLACK WITH RED
SWOOSH CAP

- Black brushed cotton twill cap with Velcro closure.
- Red, white and blue swoosh design on front of bill and side of cap.

For our Matco Ladies!

BUTTERFLY SKULL TEE

- This flattering v-neck tee is an essential staple to your wardrobe.
- With a super soft silk wash and a long easy-to-wear drape this is sure to be your "go-to" tee.
- Screen printed.
- Available S - XXL.



PDLT29S	S	\$36.99
PDLT29M	M	\$36.99
PDLT29L	L	\$36.99
PDLT29XL	XL	\$36.99
PDLT29XXL	XXL	\$36.99

matco tools

Apparel & Collectibles



\$132.60

BM15030
BONE COLLECTOR,
AXIS, SMALL, BLACK

- D2 tool steel (60-62HRC)
- Contoured G10 handle with rib cage pattern for extra grip.
- Black handle



The sale of certain knives is illegal in some states and it is ultimately the responsibility of the distributor to know and obey the laws of the state and localities where he/she resides and sells tools. Matco does not defend or pay court costs associated with distributors breaking their state and local laws and the fees they incur in the defense of their actions.



\$147.90

BM15020
BONE COLLECTOR, AXIS,
LARGE, BLACK

- D2 tool steel (60-62HRC).
- Contoured G10 handle with rib cage pattern for extra grip.
- Black handle



3'

\$22.95

PDNV51
HAZARDOUS BANNER

- Everyone will know you are a Matco Tools guy with this great high visibility banner.
- Cloth banner with grommets in all four corners with the great Matco Tools black and yellow hazard design.
- If you have the wall space, we have the banner for you.

(See "Clothing" video)

www.matcotools.com/torque

Check it out on
Matco's Torque TV



\$49.95

49MERCROD
49 MERCURY HOT ROD

- Matco exclusive paint designs.
- 1/25 scale.



\$49.95

52CHEVYTRUCK
52 CHEVY WITH MATCO LOAD

- Matco exclusive die cast replica.
- Custom colors.
- 1/25 scale.



\$99.99

MM70COUGAR
1970 COUGAR

- 1/18 scale 1970 Mercury Cougar Eliminator
- Opening hood with detailed engine
- Detailed interior
- Custom paint scheme for Matco Tools.



\$203.99 Save over \$25

SLF4T

4 PIECE LADY FOOT PRY BAR SET

- "Lady Foot" prying head for easy insertion, strong grip and leverage.
- End tapers to a point for aligning metal sheets, parts, etc.
- Black oxide bodies with polished heads.
- Includes sizes: 7" length, 5/16" body diameter. 12" length, 7/16" body diameter. 16" length, 9/16" body diameter. 21" length, 3/4" body diameter.

MASTER SET

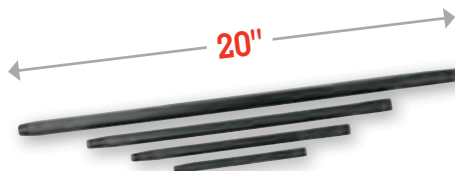


\$402.95 Save over \$85

SPL25KA2

25 PIECE MASTER PUNCH AND CHISEL SET

- 7 Cold Chisels from 5/16" to 7/8".
- 6 Pin Punches from 3/32" to 5/16".
- 6 Starter Punches from 3/32" to 1/4".
- 3/16" and 5/16" Center Punches.
- 4 Specialty punches and chisels.
- Rugged, non-marring Kit Bag indexed for convenient storage.



\$100.95 Save over \$20

SPBR4K

4 PIECE BEARING RACE PUNCH SET

- Unique, oval tips designed specifically for bearing race applications.
- Full Black Oxide finish for enhanced corrosion resistance.
- Contains 7/16" x 6", 1/2" x 10", 9/16" x 14" & 5/8" x 20" punches.
- Packaged in a storage pouch.



\$107.49 Save nearly \$25

SAD82TA

1/4" DRIVE 8 PIECE SAE 12 POINT DEEP CHROME SOCKET SET

- Opti-Torque applies torque to fastener sides, not corners which allows more torque to fastener and longer life.
- Counter-Torque distributes the torquing stress uniformly throughout the socket extending socket life.
- Hi-Visibility to identify socket sizes at a glance with oversized laser markings (red for SAE, blue for metric).
- Sizes: 3/16" - 9/16"

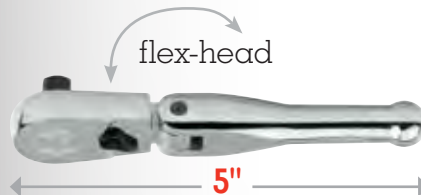


\$58.95 Save 10%

SML3KIT

3 PIECE LOCKING PLIERS SET

- Matco locking pliers provide superior gripping strength for the toughest jobs.
- This set includes 3 of the most popular sizes to get most standard jobs done.
- Include 10" straight jaw pliers, 10" curved jaw pliers and 5" curved jaw pliers.



\$79.95 Save nearly \$10

BFR58FT

3/8" DRIVE STUBBY FLEX RATCHET

- Flex head ensure access into the tightest spots.
- The stubby handle along with the low profile head and tear drop design provides access where most other ratchets won't go.
- 5" overall length.

\$150.49 Save nearly \$30

SB136TA

3/8" DRIVE 13 PIECE 6 POINT SAE SOCKET SET

- Opti-Torque applies torque to fastener sides, not corners which allows more torque to fastener and longer life.
- Hi-Visibility to identify socket sizes at a glance with oversized laser markings (red for SAE, blue for metric).
- Sizes: 1/4" to 1"



\$35.95 Save over 10%

B3UB

3/8" X 3/8" DRIVE MALE UNIVERSAL JOINT

- S2 tool steel pin increases strength of universal joint.
- Cold formed manufacturing increases overall socket strength.



\$129.95 Save over \$20

SCXYM5R

1/2" DRIVE 5 PIECE METRIC HEX BIT DRIVER

- Metric Hex Bit Set 1/2" Square Drive.
- Includes sizes: 10mm, 12mm, 14mm, 17mm, 19mm.



\$56.49 Save over 10%

AR8T

1/4" DRIVE 36 TOOTH RATCHET

- 36 gear teeth provide a minimal 10° swing arc.
- Tear drop design provides greater access.
- Closed head minimizes dirt infiltration.
- Recessed shift lever to prevent accidental shifting.
- Ergonomic handle contour provides a strong yet comfortable grip.
- Overall length 8"

America's best built box.



Lower payments on 4s series,
5s series and 6s series toolboxes.

4122R, 41F22R, 41W22R, 4222R, 6128SR boxes are excluded



SPECIAL
OFFER

LOWER
PAYMENTS

We're extending the financing term for an extra year so the weekly payment on your new box is easier on your budget.



Advertised weekly payments are an estimate and may not apply to all contracts. The weekly payments shown are part of a limited time promotion and are only available in participating areas. The payments are based on 260 week contracts and payments will vary based on finance charges. Additional fees may apply.

All credit sale contracts are subject to approved credit, not all applicants will qualify. See your Matco Tools Distributor for details.

Weekly payments **\$36** 
as low as:

Weekly payments **\$28** 
as low as:

Weekly payments **\$22** 
as low as:





\$84.95 Save 10%

73149
21 PIECE TURBO MAX DRILL BIT SET

- Self Centering, won't walk.
- Precision ground to stay sharper longer and drill faster.
- For harder material.
- Sizes 1/16" - 3/8".



\$113.49 Save nearly \$20

AF4KA
4 PIECE FRONT END HAMMER KIT

- Blades have standard .401 shanks.
- Contains

4" Hammer	6" Taper Punch
Pneumatic Ball Joint Wedge	Pneumatic Tie Rod Spreader



Small head design allows access into the most difficult places.

Working Torque: 5-25 ft.lbs.

\$214.49 Save nearly \$25

MT1837S
1/4" DRIVE SINGLE BODY RATCHET

- One piece body increases durability and overall strength.
- Patented Grease (US patent 6,505,246) fitting in Yoke to allow for increased durability.
- Rear Exhaust.



\$213.49 Save nearly \$40

MT1868
STRAIGHT LINE SANDER

- High power dual piston sander provides smooth, balanced sanding action.
- Pad diameter is 2-3/4" x 17-1/2".
- 3,000 one-inch strokes per minute provide a fast cutting action to rapidly prepare large surface areas.

\$59.50 Save nearly \$10

MAS4
MECHANIC'S SEAT

- Air cylinder for simple height adjustments.
- Five 2 1/2" casters for easy mobility.
- 15 1/4" Tool Tray, 1" deep.
- 12 1/2" Seat Diameter.
- High height: 20 1/2".
- Low height: 15 1/2".
- Weight: 16 1/2 lbs.



AUTO BODY REPAIR

ESSENTIALS



\$272.95 Save \$30

ALBFTK7
7 PIECE ALUMINUM PANEL BODY/FENDER TOOL KIT

- Perfect auto body repair tool set for working on aluminum panels.
- Super high polish metal surfaces for aluminum.
- Includes: heel dolly, thin toe dolly, curved cross chisel hammer, light dinging spoon, and a general purpose dolly.



\$46.95 Save over 15%

BH170
DOOR SKIN HAMMER

- For folding flanges on door skins.
- High Polish Striking Surfaces.



\$173.49 Save over \$20

BT45K
5 PIECE DOLLY / SPOON KIT

- The most common dollies and dinging spoon packaged in a blow molded box.
- Includes: Rubber heel dolly. Thin toe dolly. Heel dolly. General purpose rail dolly. Light dinging spoon.

More breadth. More features. More performance.

That's the Matco Advantage.

FEATURES	High performance alloy steel with advanced heat treating process, precision quench and temper	BENEFITS	Ultimate in strength and durability
	Precision manufacturing processes		Dependable and consistent performance
	Opti-Torque System		Applies torque to the fastener sides reducing corner round-off
	High visibility laser and impression stamped markings		Easy identification and accessibility



\$66.95 Save 10%

SCP136V

1/2" DRIVE 13 PIECE SAE 6 POINT IMPACT SOCKET SET

- Opti-Torque System applies torque to the fastener sides reducing corner round off.
- 150° chamfer on the socket drive end for better grab, constant pressure and easier use.
- High Visibility size markings quickly identify socket.
- Sizes include: 7/16" - 1 1/4".



\$173.95 Save nearly \$20

SAP486V

1/4" DRIVE 48 PIECE IMPACT SOCKET SET

- Opti-Torque System applies torque to the fastener sides reducing corner round off.
- 150° chamfer on the socket drive end for better grab, constant pressure and easier use.
- High Visibility size markings quickly identify socket.
- Sizes include: 4mm - 15mm, 3/16" - 9/16".

\$39.95 Save over 10%

TS500

TWIST SOCKET LUGNUT REMOVER

- Twist-socket lugnut remover is designed to remove damaged or rounded lugnuts sized 3/4" - 1 3/16".



\$28.50 Save 15%

CPT19-21M6

1/2" 19MM X 21MM T/W FLIP SOCKET

- The most popular flip sockets and an extension in a thinwall design for ultimate access and high strength.
- 1/2" drive sockets have 6PT openings on both ends.



\$27.50 Save over 10%

CP1612RBC

1/2" X 3/8" IMPACT REDUCING ADAPTER

- 2 piece design with a replaceable insert bit held in the adapter body with a retention pin.
- Ball and spring socket retention.
- The bit holder, CP1612RCH, is a lower profile design allowing access to tighter areas.
- S7 material bit for increased strength.



\$37.95 Save over 15%

DP2416RB

3/4" X 1/2" DRIVE IMPACT REDUCING ADAPTER

- Features a replaceable insert bit.
- Ball and spring for socket retention.
- Reduces 3/4" drive down to 1/2" drive.
- Insert bit takes 1/2" drive sockets and is 1" long.



www.matcotools.com/torque



ULTIMATE ACCESS



\$137.95 Save over \$15

SRF46TB 4 PIECE FLARENUT WRENCH SET SAE

- Strong non-slip design 270° engagement on fastener angled entry for access optimized torque transfer.
- Sizes: 3/8" x 7/16", 1/2" x 9/16", 5/8" x 1/16", 3/4" x 7/8".

WRENCHES



EXTRA-LONG BEAM **DOUBLE FLEX JOINT**



\$367.95 Save over \$60

SRDFXLM52T 5 PIECE DOUBLE FLEX-JOINT BOX WRENCH SET

- Extra long beam pattern allow for maximum access.
- The double flexing head design helps eliminate those nagging obstacles that interfere with the installation or removal of fasteners.
- Loosen or tighten any 6pt, 12pt, spline, star, square and even up to 50% rounded off fasteners.
- Sizes: 8mm, 10mm, and 12mm-19mm.

\$214.95 Save over \$45

SGRBLM4T 4 PIECE METRIC DOUBLE BOX PRO-SWING SET

- Breaks frozen fasteners free and then speeds them off without changing tools.
- Pro-Swing has a slim head profile to get in and around tight spaces.
- 72-tooth pawl for efficient 5° swing arc.
- Sizes Included: 21mm, 22mm, 24mm, & 25mm.



12 PIECE METRIC XL ERGO FLEX RATCHETING WRENCH SET

Extra-Long beam length helps reach where standard wrenches will not

SGRFECLM12T

\$360⁸⁵

Combined value: \$640.30

12 + 9 = 21
all for only \$360⁸⁵!

PURCHASE THIS 12-PIECE METRIC SET AND RECEIVE THE 9-PIECE SAE XL FLEX RATCHETING WRENCH SET BELOW FOR FREE!

Buy this

8mm - 19mm

Fine tooth ratcheting box end for reaching hard to access fasteners

Ergonomic beam design increase comfort and increases torque

Flex head increases access

Get this for **FREE!**

with purchase of 12-piece set SGRFECLM12T above

A \$279.45 value!

SGRFECL9T

9 PIECE SAE EXTRA LONG ERGO FLEX RATCHETING WRENCH SET

- Ergonomic beam design increases comfort and increases torque
- Extra-long beam length helps reach where standard wrenches will not
- Flex head increases access
- Fine tooth ratcheting box end for reaching hard to access fasteners
- 5/16", 11/32", 3/8", 7/16", 1/2", 9/16", 5/8", 11/16", 3/4"

\$40.70

MLXLNN11

11" EXTRA LONG NEEDLE NOSE LOCKING PLIERS

- Jaw and Handle is made of high grade Chrome Vanadium Steel.
- Nickel Plated finish for long life and durability.

\$25.55

MLP7

7" PINCH OFF LOCKING PLIERS

- Jaw and Handle are made of high grade Chrome Vanadium Steel.
- Nickel Plated finish for long life and durability.

NEW

NEW

\$38.25

MLHC9

9" HOSE CLAMP LOCKING PLIERS

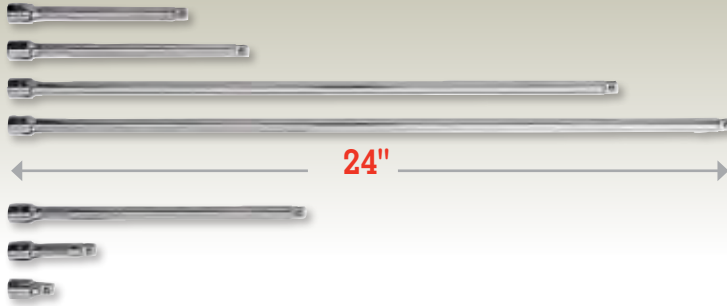
- Deep slotted jaws can remove and replace all size spring wire hose clamps and lock them safely in any position.
- Jaw and Handle are made of high grade heat treated steel alloys. The jaw is made of Chrome Vanadium Steel and the Handle is made of Chrome Molybdenum Steel.
- Nickel Plated for long life and durability.

www.matcotools.com

15

BACK2BASICS

Get the Technician's Essentials.
Whether you're just starting out,
or you're a seasoned expert...
These basics are essential to your set.
Get back to basics!



Save nearly \$25

\$179.49 Save nearly \$25

SBXK7T

3/8" DRIVE 7 PIECE EXTENSION SET

- Chrome extensions are full polish.
- The 3" through 10" extensions have a knurled shank.
- Extensions clearly marked for identification.
- Plastic trays with a locking lid.
- Includes sizes: 1", 3", 6", 8", 10", 20", and 24".

\$77.50 Save over \$15

SCXPB3T

1/2" DRIVE 3 PIECE
IMPACT EXTENSION

- Full selection of three 1/2" drive impact extensions
in various lengths - 3", 5", and 10".



Save over \$15

\$78.50 Save over \$15

SABXR9T

1/4" & 3/8" DRIVE 9 PIECE RECESS TORX SOCKET SET

- For recessed torx fasteners.
- 1" and 1 1/4" overall lengths.
- Black oxide finish.



Save over \$15



PR1511RED

**MATCO
TOOLS**



The products on Matco's National Promo are
limited in quantity and subject to availability.
Matco reserves the right to correct printing errors.